



# ERSATZTEILLISTE SPARE PARTS LIST

FOR ROTAX ENGINE

**TYPE**    **FR 125 MAX**  
**FR 125 Junior MAX**  
**FR 125 Mini MAX**  
**FR 125 Micro MAX**

ROTAX PRODUCTION: 2006/2007

VERSION: FR 125 MAX

ENGINE CONFIGURATION NO.: 37.125.1301

VERSION: FR 125 Junior MAX

ENGINE CONFIGURATION NO.: 30.0125.130

NO.: 1315

EDITION: 12.2006

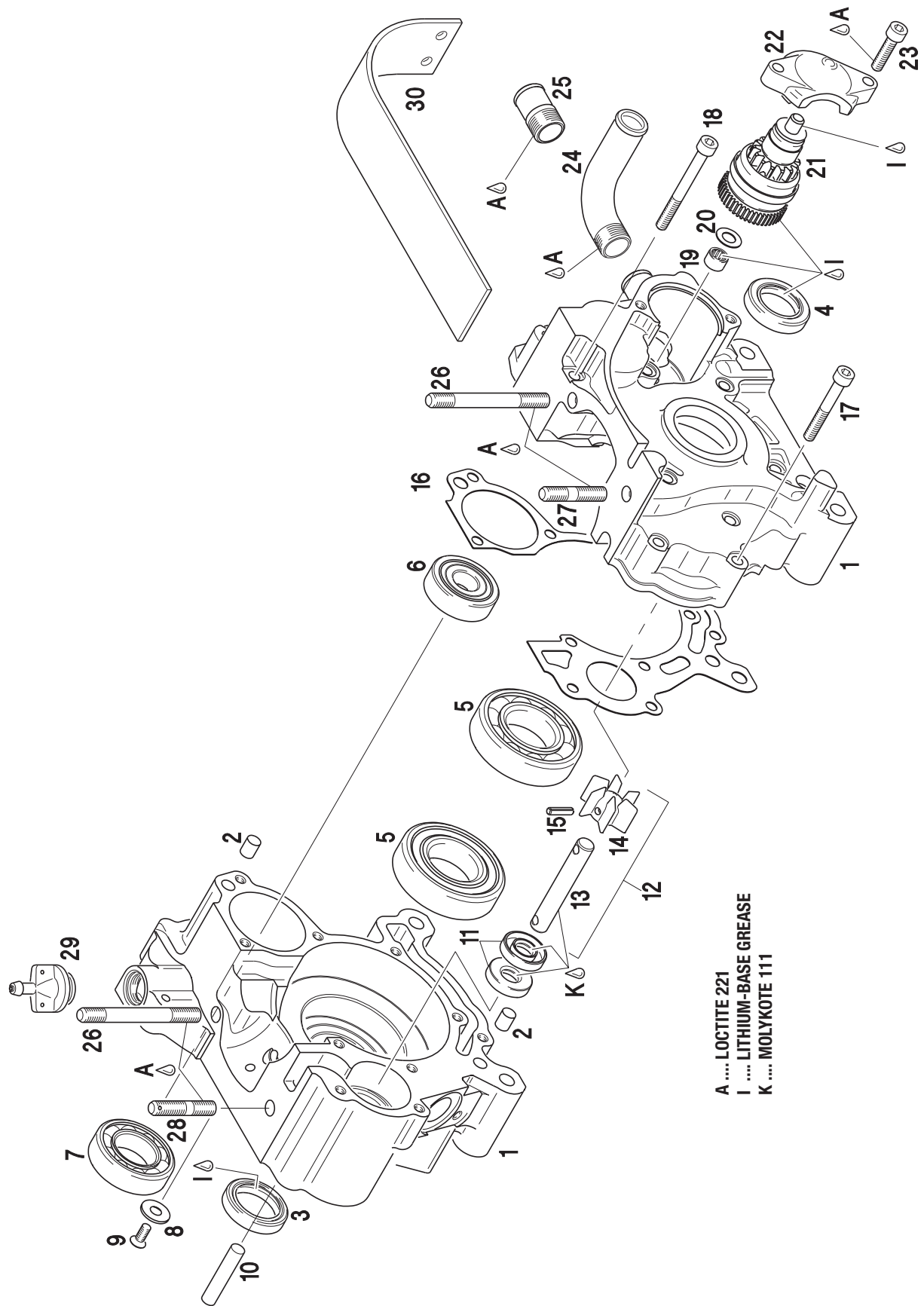
**BRP-Rotax GmbH & Co. KG**  
Welser Strasse 32  
A-4623 Gunskirchen, Austria  
T: +43 7246 601 0 F: +43 7246 6370

[www.rotax.com](http://www.rotax.com)  
[www.kart-rotax.com](http://www.kart-rotax.com)

NUR ZUR INFORMATION.  
ÄNDERUNGSDIENST NICHT VORGESEHEN.  
FOR INFORMATION ONLY.  
WITHOUT COMMITMENT TO ADVISE MODIFICATIONS.

## INHALTSVERZEICHNIS TABLE OF CONTENTS

KAPITEL/CHAPTER	SEITE/PAGE
1	CRANKCASE, WATER PUMP, E-STARTER DRIVE, CHAIN GUARD .....2
2	CRANKSHAFT, PISTON, BALANCE SHAFT .....6 BALANCE DRIVE, WATER PUMP DRIVE, GEARBOX COVER .....6
3	CYLINDER ..... 10
4	CENTRIFUGAL CLUTCH, SPROCKET ..... 16
5	IGNITION UNIT, E-STARTER, BATTERY, BATTERY CHARGER, CABLE HARNESS, ... 21 REVOLUTION COUNTER, TEMPERATURE SENSOR ..... 21
6	CARBURETTOR, GASKET SET (CARBURETTOR), ..... 26 FUEL PUMP , REPAIR SET ( FUEL PUMP ) FUEL TUBE , CABLE BOWDEN ..... 26



A .... LOCTITE 221  
 I .... LITHIUM-BASE GREASE  
 K .... MOLYKOTE 111

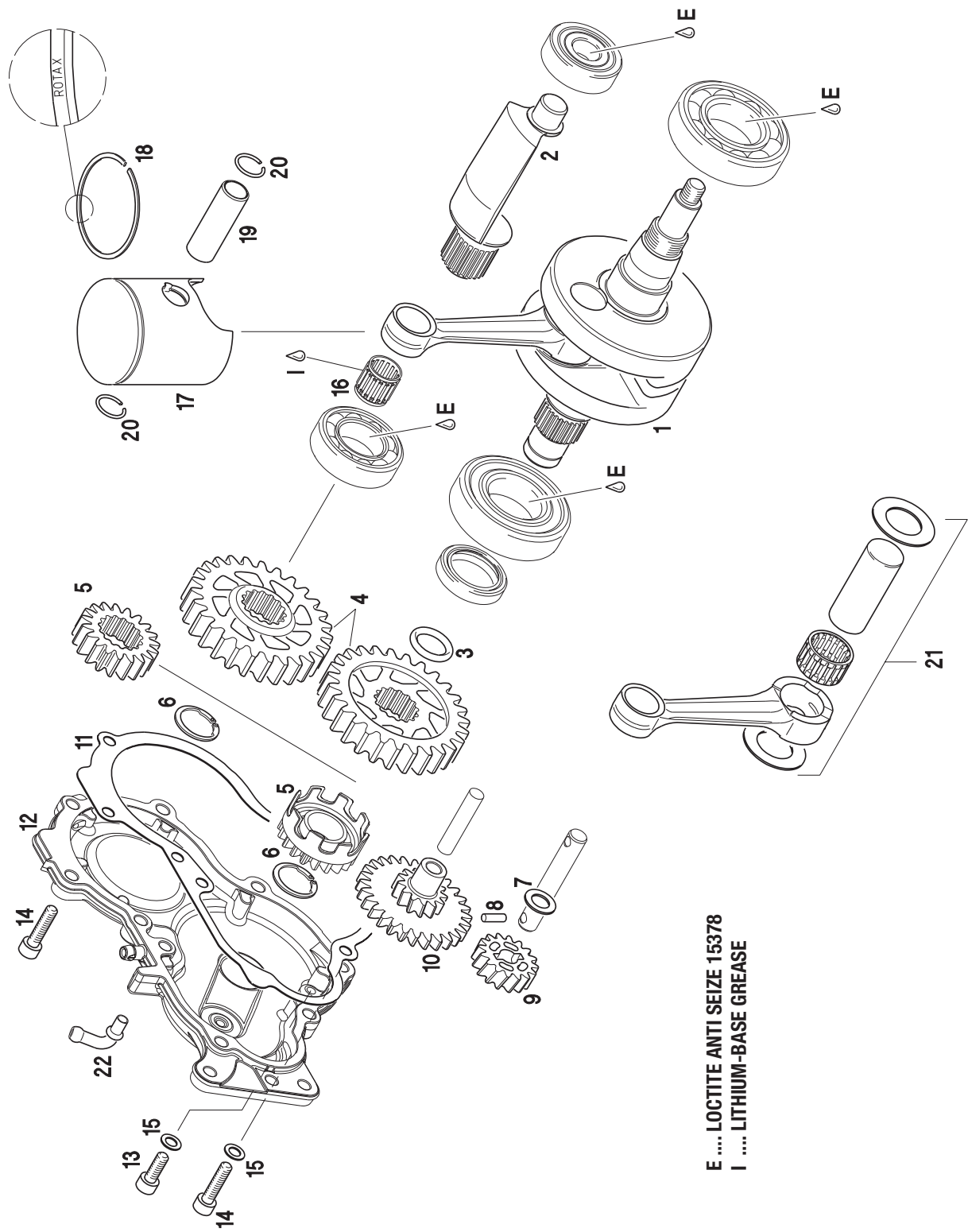
## Kapitel 1 / Chapter 1

**KURBELGEHÄUSE, WASSERPUMPE, E-STARTER TRIEB, KETTENSCHUTZ  
CRANKCASE, WATER PUMP, E-STARTER DRIVE, CHAIN GUARD**

BILD-NR. ILL. NO.	TEILE-NR. PART NO.	BEZEICHNUNG DESCRIPTION	STUECK QTY.
1 - 2	295911	GEHAEUSE KPL. CRANK CASE ASSY.,	1
2	632010	ZYLINDERROLLE 8X12 DIN 5402 PIN 8X12 DIN 5402	2
3	230425	WD-RING AS 28X38X7 NBR OIL SEAL 28X38X7	1
4	930675	WD-RING AS 25X38X7 NBR OIL SEAL 25X38X7	1
5	832592	RK-LAGER 6206 RALU 0,039 BIS 0,049 BALL BEARING 6206 RALU 0,039 TO 0,049  REPLACED BY BALL BEARING 832 533	2
5	832533	RK-LAGER 6206 TVH C4M B. BEARING 6206 TVH C4M	2
6	232291	RK-LAGER 6302 TN9/C3 BALL BEARING 6302 TN9C3/15-42-13	
7	232340	RK-LAGER 6005 TNH C3 BALL BEARING 6005 E C3/ 25-47-12	1
8	227280	HALTESCHEIBE THRUST WASHER	1
9	940315	SENKSCHRAUBE M5X12 DIN 965 COUNTERSUNK SCREW M5X12  TIGHTENING TORQUE 6 NM	1
10	229380	ZYLINDERSTIFT 8 KLEIN M6X40 LOCATING PIN 6X40	1
11	230196	WD-RING A 10X26X7 NBR OIL SEAL A 10X26X7 NBR	2
12-15	220515	WASSERPUMPENWELLE KPL. PUMP SHAFT ASSY	
13		WASSERPUMPENWELLE PUMP SHAFT  USE PUMP SHAFT ASSY., 220515	1
14		LAUFRAD IMPELLER  USE PUMP SHAFT ASSY., 220515	1

15		SPANNHUELSE 4X16 DIN 1481 SLOTTED SPRING PIN 4X16	1
		USE PUMP SHAFT ASSY., 220515	
16	650490	DICHTUNG GASKET	1
17	241821	ZYL.SCHRAUBE M6X45 DIN 912 ALLEN SCREW M6X45 DIN 912	8
		TIGHTENING TORQUE 10 NM	
18	240371	ZYL.SCHRAUBE M6X60 DIN 912 ALLEN SCREW M6X60	2
		TIGHTENING TORQUE 10 NM	
19	232275	NADELHUELSE 8X12X8 NEEDLE BUSHING 8X12X8	1
20	227945	ANLAUFSCHEIBE 8,1/15/0,5 THRUST WASHER 8,1/15/0,5	1
21	294810	STARTERGETRIEBE KPL. STARTER REDUCTION GEAR ASSY.,	1
22	210345	STARTERGETRIEBEBECKEL REDUCTION GEAR COVER	1
23	840861	ZYL.SCHRAUBE M6X25 DIN 912 ALLEN SCREW M6X25 DIN 912	2
		TIGHTENING TORQUE 5 NM	
24	922620	KUEHLWASSERKRUEMMER BENT SOCKET	1
		FOR CONFIGURATION <b>WITHOUT</b> THERMOSTAT	
25	224094	ABLAUFROHR TUBE	1
		FOR CONFIGURATION <b>WITH</b> THERMOSTAT	
26	940786	STIFTSCHRAUBE M8X57/20 STUD M8X57/20	2
		TIGHTENING TORQUE 5 NM	
27	241381	STIFTSCHRAUBE M8X28/20 STUD M8X28/20	1
		TIGHTENING TORQUE 5 NM	

28	241386	STIFTSCHRAUBE M8X28/20 STUD M8X28/20 MIT BOHRUNG ZUM VERSIEGELN DES MOTORS  WITH HOLE FOR SEALING OF THE ENGINE TIGHTENING TORQUE 5 NM	1
29	241925	ENTLUEFTUNGSSCHRAUBE M18X1,5 AIR VENT SCREW M18X1,5	1
30	260770	KETTENSCHUTZ 800X65X3 CHAIN GUARD 800X65X3  ATTENTION: SPLASH PROTECTION ONLY!	1
I	897330	LITHIUMSEIFENFETT LITHIUM-BASE GREASE, 250 GR.,	N. BED. AS REQ.
K	897161	MOLYKOTE 111 MOLYKOTE 111, 100 GR	N. BED. AS REQ.
A	899785	LOCTITE 221 VIOLETT LOCTITE 221 VIOLET, 10 CC.	N. BED. AS REQ.



E .... LOCTITE ANTI SEIZE 15378  
 I .... LITHIUM-BASE GREASE

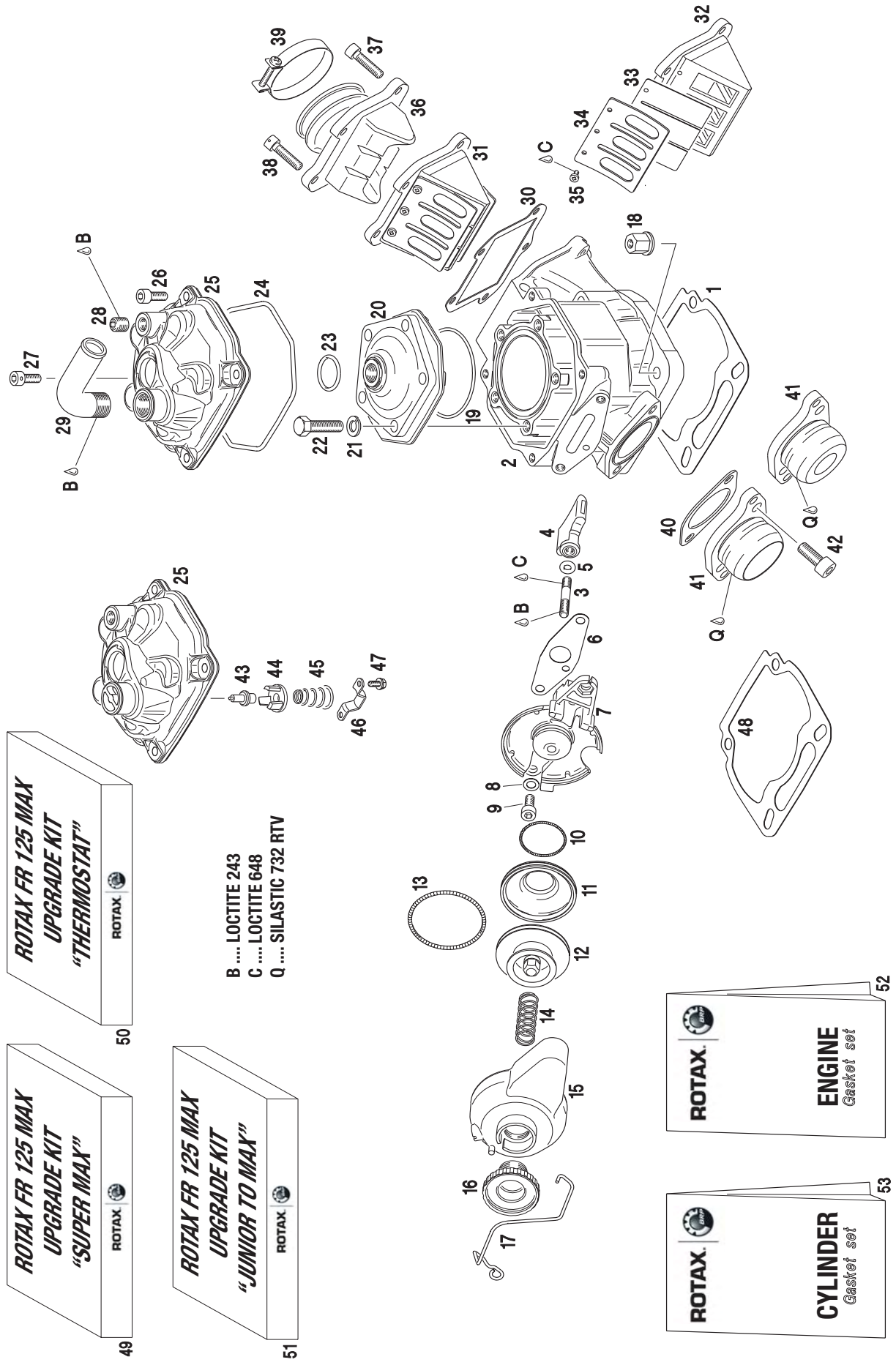
## Kapitel 2 / Chapter 2

**KURBELWELLE, KOLBEN, AUSGLEICHSWELLE,  
AUSGLEICHSTRIEB, WASSERPUMPENTRIEB, GETRIEBEDECKEL  
CRANKSHAFT, PISTON, BALANCE SHAFT  
BALANCE DRIVE, WATER PUMP DRIVE, GEARBOX COVER**

BILD-NR. ILL. NO.	TEILE-NR. PART NO.	BEZEICHNUNG DESCRIPTION	STUECK QTY.
1	295870	KURBELWELLE-KPL. CRANKSHAFT ASSY.,  REPLACED BY CRANKSHAFT 295 875 TOGETHER WITH WATERPUMP-GEAR 19 T. 635850	1
1	295875	KURBELWELLE-KPL. CRANKSHAFT ASSY.,  REPLACED BY CRANKSHAFT 295876	1
1	295876	KURBELWELLE-KPL. CRANKSHAFT ASSY.	1
2	237949	AUSGLEICHSWELLE BALANCE SHAFT  REPLACED BY BALANCE SHAFT 237948	1
2	237948	AUSGLEICHSWELLE BALANCE SHAFT	1
3	430460	O-RING DIN 3771-18X3,5-N, NBR 70 O-RING 18X3,5	1
4	234431	AUSGLEICHSRAD 27 Z BALANCING GEAR 27 T.,	2
5	634421	ANTRIEBSRAD 19 Z DRIVE GEAR 19 T  FOR CRANKSHAFT 295870 ONLY	1
5	635850	WASSERPUMPENRAD 19 Z WATER PUMP GEAR 19 T  FOR CRANKSHAFT 295875 ONLY	1
6	245650	SEEGER-V-RING AV 20 RETAINING RING AV 20	2
7	827590	ANLAUFSCHEIBE 10,1/17/1 THRUST WASHER 10,1/17/1	1
8	232730	NADELROLLE 4X15,8 G3 DIN 5402 NEEDLE PIN 4X15,8 G3 DIN 5402	1
9	234415	WASSERPUMPENRITZEL 16 Z WATER PUMP PINION 16 T	1

10	634035	WASSERPUMPENZWISCHENRAD 28/13Z IDLE GEAR 28/13 T.	1
11	650470	DICHTUNG GASKET	1
12	211870	GETRIEBEBEDECKEL GEAR COVER  REPLACED BY GEAR COVER 211871	1
12	211871	GETRIEBEBEDECKEL GEAR COVER	1
13	241236	ZYL.SCHRAUBE M6X16 DIN 912 ALLEN SCREW M6X16 DIN 912  TIGHTENING TORQUE 10 NM	1
14	840861	ZYL.SCHRAUBE M6X25 DIN 912 ALLEN SCREW M6X25 DIN 912  TIGHTENING TORQUE 10 NM	6
14	840880	ZYL.SCHRAUBE M6X30 DIN 912 ALLEN SCREW M6X30 DIN 912	2
15	230415	DICHTRING A 6X10 DIN 7603 GASKET RING A 6X10 DIN 7603  FOR OILLEVEL- AND OIL-DRAIN-SCREW	2
16	932026	KOLBENBOLZENKAEFIG K 15X19X20 NEEDLE CAGE K 15X19X20	1
17 - 18	296292	KOLBEN KPL. 53,97 MM PISTON ASSY. 53,97 STANDARD	AS REQ.
17 - 18	296293	KOLBEN KPL. 53,98 MM PISTON ASSY. 53,98 MM STANDARD	AS REQ.
17 - 18	296291	KOLBEN KPL. 53,99 MM PISTON ASSY. 53,99 MM  OVERSIZE	1
18	215545	R-RING IS2-54/49,4X1 RECTANGULAR RING IS2-54/49,4X1  REPLACED BY RECTANGULAR RING 215547	1
18	215547	R-RING IS2-54/49,4X1 RECTANGULAR RING IS2-54/49,4X1  ORIGINAL WITH ROTAX LOGO	1
19	216135	KOLBENBOLZEN 15X10/12X45,6 PISTON PIN 15X10/12,5X45,6	1

20	945635	NULLHAKENRING 15 CIRCLIP 15	2
		USE ONLY ONCE	
21	295874	KURBELWELLENSATZ CRANKSHAFT REPAIR SET	1
		REPLACED BY CRANKSHAFT REPAIR SET 295879	
21	295879	KURBELWELLENSATZ CRANKSHAFT REPAIR SET	1
22	924520	IMPULSKRUEMMER IMPULSE FITTING	1
		USED FOR GEAR COVER 211870	
E	297434	LOCTITE ANTI SEIZE 15378 LOCTITE ANTI SEIZE 15378 50 ML.	N. BED. AS REQ.
I	897330	LITHIUMSEIFENFETT LITHIUM-BASE GREASE, 250 GR.,	N. BED. AS REQ.



**ROTAX FR 125 MAX  
UPGRADE KIT  
"THERMOSTAT"**  
ROTAX

50

**ROTAX FR 125 MAX  
UPGRADE KIT  
"SUPER MAX"**  
ROTAX

49

**ROTAX FR 125 MAX  
UPGRADE KIT  
"JUNIOR TO MAX"**  
ROTAX

51

B ... LOCTITE 243  
C ... LOCTITE 648  
Q ... SILASTIC 732 RTV

**ROTAX**  
**ENGINE**  
Gasket set

52

**ROTAX**  
**CYLINDER**  
Gasket set

53

## Kapitel 3 / Chapter 3

**ZYLINDER  
CYLINDER**

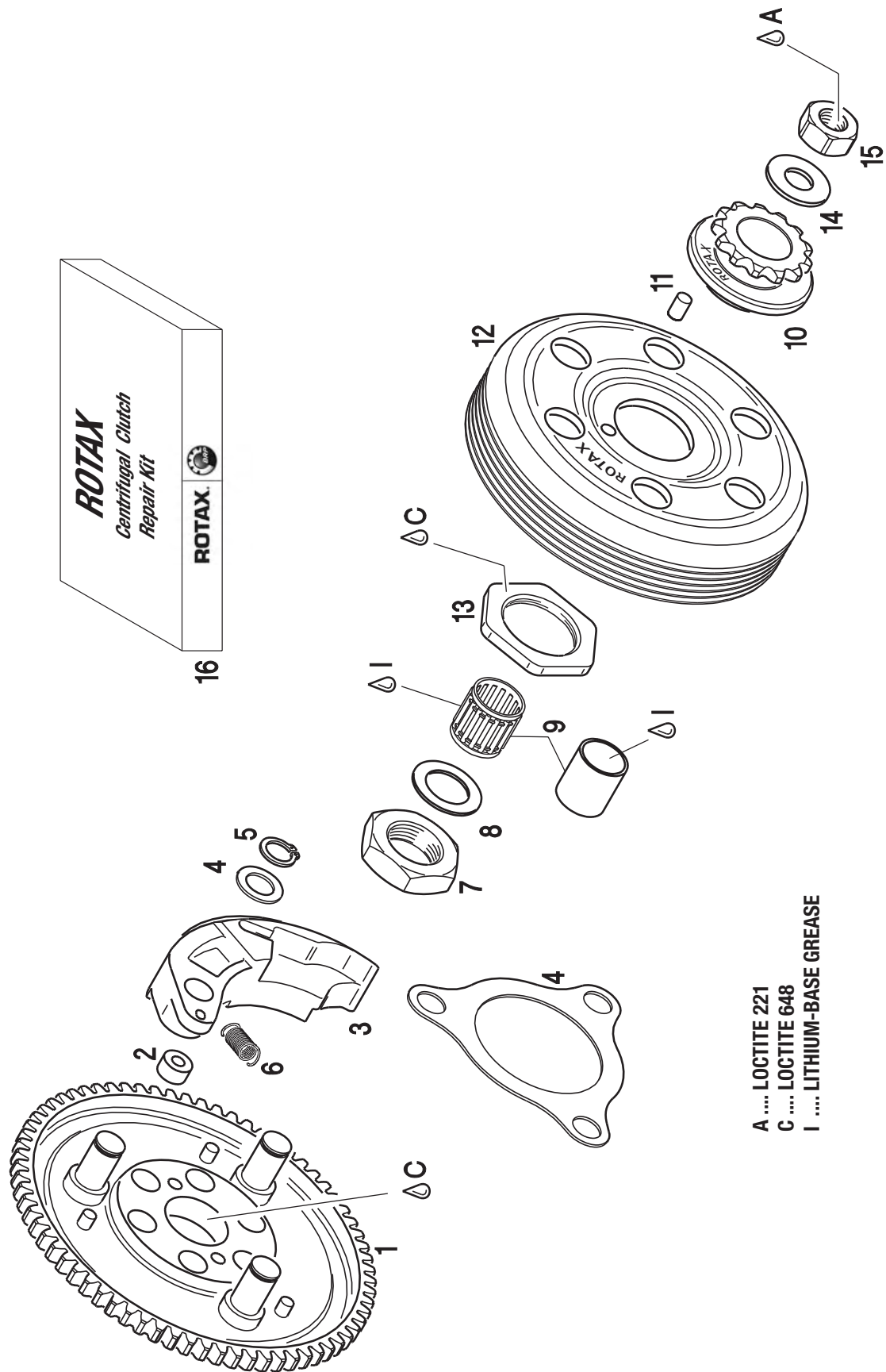
BILD-NR. ILL. NO.	TEILE-NR. PART NO.	BEZEICHNUNG DESCRIPTION	STUECK QTY.
		POS. 3 - POS. 17 NUR FUER MOTORAUSFUEHRUNG FR 125 MAX POS. 3 - POS. 17 FOR ENGINE CONFIGURATION FR 125 MAX ONLY	
1	650480	DICHTUNG 0,3 GASKET 0,3 MM	N. BED. AS REQ.
1	650483	DICHTUNG 0,4 GASKET 0,4 MM	N. BED. AS REQ.
1	650481	DICHTUNG 0,5 GASKET 0,5 MM	N. BED. AS REQ.
1	650482	DICHTUNG 0,8 GASKET 0,8 MM	N. BED. AS REQ.
2	223997	NIKASILZYLINDER NIKASIL CYLINDER	1
		FOR ENGINE CONFIGURATION FR 125 MAX ONLY A: 54,000 - 54,010 MM AB: 54,010 - 54,015 MM B: 54,015 - 54,025 MM	
2	223999	NIKASILZYLINDER NIKASIL CYLINDER	1
		FOR ENGINE CONFIGURATION FR 125 JUNIOR / MINIMAX ONLY A: 54,000 - 54,010 MM AB: 54,010 - 54,015 MM B: 54,015 - 54,025 MM	
3	941145	STIFTSCHRAUBE M6X30,5/12 STUD M6X30,5/12	1
		TIGHTENING TORQUE 2-3 NM	
4	253725	AUSLASSSCHIEBER EXHAUST VALVE	1
5	230260	O-RING DIN 3771-6X3-N, NBR 70 O-RING 6X3	1
6	250231	DICHTUNG GASKET	1
7	253380	SCHIEBERSTANGENFUEHRUNG VALVE ROD HOUSING	1
8	845020	FEDERSCHEIBE B6 DIN 137 SPRING WASHER B6	2

9	241236	ZYL.SCHRAUBE M6X16 DIN 912 ALLEN SCREW M6X16  TIGHTENING TORQUE 10 NM	2
10	838255	SCHLAUCHFEDER 70-1,7-0,3 HOSE SPRING 70-1,7-0,3	1
11	260728	SCHIEBERBALG „ROT“ BELLOW „RED“  REPLACED BY BELOW 260 723	1
11	260723	SCHIEBERBALG „GRUEN“ BELLOW „GREEN“	1
12	854440	SCHIEBERKOLBEN EXHAUST VALVE PISTON	1
13	939280	SCHLAUCHFEDER 134-3,0-0,65 HOSE SPRING 134-3,0-0,65	1
14	239942	DRUCKFEDER DM13,2 D0,8 L42,5 COMPRESSION SPRING 42,5 / 0,8 MM	1
15	210331	SCHIEBERABDECKUNG VALVE COVER	1
16	641890	EINSTELLSCHRAUBE ADJUSTMENT SCREW  STANDARD, FOR MANUAL ADJUSTMENT	1
17	239030	FEDERBUEGEL SPRING CLIP	1
18	242705	BUNDMUTTER M8 COLLAR NUT M8  TIGHTENING TORQUE 24 NM  REPLACED BY COLLAR NUT M8 242706	4
18	242706	BUNDMUTTER M8 COLLAR NUT M8  TIGHTENING TORQUE 24 NM	4
19	250160	O-RING DIN 3771-64X2-N, FPM 75 O-RING 64X2	1
20	223385	BRENNRAUMEINSATZ COMBUSTION CHAMBER INSERT	1
21	945752	FEDERRING DIN 128-A8-FST LOCK WASHER A8	5

22	940487	SK-SCHRAUBE M8X30 DIN 933 HEX. SCREW M8X30 DIN 933  TIGHTENING TORQUE 30 NM	5
23	430782	O-RING DIN 3771-23,3X2,4-N, MVQ 60 O-RING DIN 3771-23,3X2,4-N, MVQ 60	1
24	250280	O-RING DIN 3771-105X2,5-N, NBR 70 O-RING 105X2,5	1
25	613106	ZYLINDERKOPFDECKEL CYLINDER HEAD COVER  FOR CONFIGURATION WITHOUT THERMOSTAT	1
25	613101	ZYLINDERKOPFDECKEL CYLINDER HEAD COVER  FOR CONFIGURATION WITH THERMOSTAT	1
26	241236	ZYL.SCHRAUBE M6X16 DIN 912 ALLEN SCREW M6X16  TIGHTENING TORQUE 10 NM	3
27	641361	ZYL.SCHRAUBE M6X25 ALLEN SCREW M6X25  WITH HOLE, FOR SEALING OF THE ENGINE	1
28	240480	VERSCHLUSSSCHRAUBE 1/8-27NPT PLUG SCREW 1/8-27NPT  TIGHTENING TORQUE 10 NM	1
29	922620	KUEHLWASSERKRUEMMER BENT SOCKET	1
30	250521	DICHTUNG GASKET	1
31 - 35	224387	VENTILTRAEGER KPL. REED VALVE ASSY.,	1
32		REED VALVE, NOT AVAILABLE AS REPLACEMENT PART, USE REED VALVE ASSY. 224 387!	
33	224430	BLATTVENTIL REED PETAL	2
34		REED PEDAL STOP, NOT AVAILABLE AS REPLACEMENT PART, USE REED VALVE ASSY. 224 387!	

35	240351	LINSENSCHRAUBE M3X6 DIN 7985 SLOTTED HEAD SCREW M3X6	6
36	267915	VERGASERSTUTZEN 42,5 MM CARBURETOR FLANGE 42,5 MM	1
37	840861	ZYL.SCHRAUBE M6X25 DIN 912 ALLEN SCREW M6X25 DIN 912  TIGHTENING TORQUE 6 NM	4
38	641361	ZYL.SCHRAUBE M6X25 ALLEN SCREW M6X25  TIGHTENING TORQUE 6 NM  WITH HOLE, FOR SEALING OF THE ENGINE	1
39	251850	SCHLAUCHSCHELLE 51 HOSE CLAMP 51	1
40	250271	DICHTUNG GASKET	1
41	273970	AUSPUFFSTUTZEN KPL. EXHAUST SOCKET ASSY.,	1
41	273972	AUSPUFFSTUTZEN KPL. EXHAUST SOCKET ASSY.,  FOR ENGINE CONFIGURATION FR 125 MINI AND MICRO MAX ONLY	1
42	240071	ZYL.SCHRAUBE M8X20 DIN 912 ALLEN SCREW M8X20  TIGHTENING TORQUE 20 NM	2
43	222125	THERMOSTAT 45 GRAD CELSIUS / 113 GRAD FAHRENHEIT THERMOSTAT, 45 DEGR. CELSIUS / 113 DEGR. FAHRENHEIT  FOR CONFIGURATION WITH THERMOSTAT  REPLACED BY THERMOSTAT 222120	1
44	222175	VENTILTELLER THERMOSTAT HOLDER  FOR CONFIGURATION WITH THERMOSTAT	1
45	239950	DRUCKFEDER COMPRESSION SPRING  FOR CONFIGURATION WITH THERMOSTAT	1
46	222202	THERMOSTATBUEGEL THERMOSTAT RETAINING BRACKET  FOR CONFIGURATION WITH THERMOSTAT	1

47	240195	TAPTITE-SCHRAUBE M4X8 TAPTITE-SCREW M4X8	2
		TIGHTENING TORQUE 3 NM	
		FOR CONFIGURATION WITH THERMOSTAT	
48	626420	DROSSELBLECH RESTRICTION PLATE	1
49	281370	UPGRADE KIT „SUPERMAX“ UPGRADE KIT „SUPERMAX“	N. BED. AS REQ.
		CONTENT: 1 X 613930 CYLINDER 1 X 296290 PISTON ASSY, 1 X 216135 PISTON PIN 1 X 932026 PISTON PIN BEARING 2 X 945 635 CIRCLIP 15 MM REQUIRED GASKETS AND O-RINGS RECOMMENDED MAIN JETS (6 PCS.) OPERATORS MANUAL	
	281420	NACHRÜSTSATZ THERMOSTAT FR 125 MAX UPDATE KIT THERMOSTAT FR 125 MAX	
		INCLUDES ALL REQUIRED PARTS TO UPDATE THE ENGINE TO CONFIGURATION WITH INTEGRATED THERMOSTAT	N. BED. AS REQ.
50	281375	UPGRADE KIT "FR 125 MAX JUNIOR TO MAX" UPGRADE KIT "FR 125 MAX JUNIOR TO MAX"	
		INCLUDES ALL REQUIRED PARTS TO UPDATE THE ENGINE FR 125 JUNIOR MAX TO CONFIGURATION FR 125MAX.	N. BED. AS REQ.
51	296160	MOTORDICHTSATZ GASKET SET ASSY.	
	296161	DICHTSATZ ZYLINDER GASKET SET CYLINDER ASSY.	1
52	899788	LOCTITE 648 GRUEN LOCTITE 648 GREEN, 5 GR.	
53	897651	LOCTITE 243 BLAU LOCTITE 243 BLUE, 10 CC.	N. BED. AS REQ.
C	297386	SILASTIC 732 RTV, 100 GR. SILASTIC 732 RTV, 100 GR.	N. BED. AS REQ.
B			N. BED. AS REQ.
Q			



- A .... LOCTITE 221
- C .... LOCTITE 648
- I .... LITHIUM-BASE GREASE

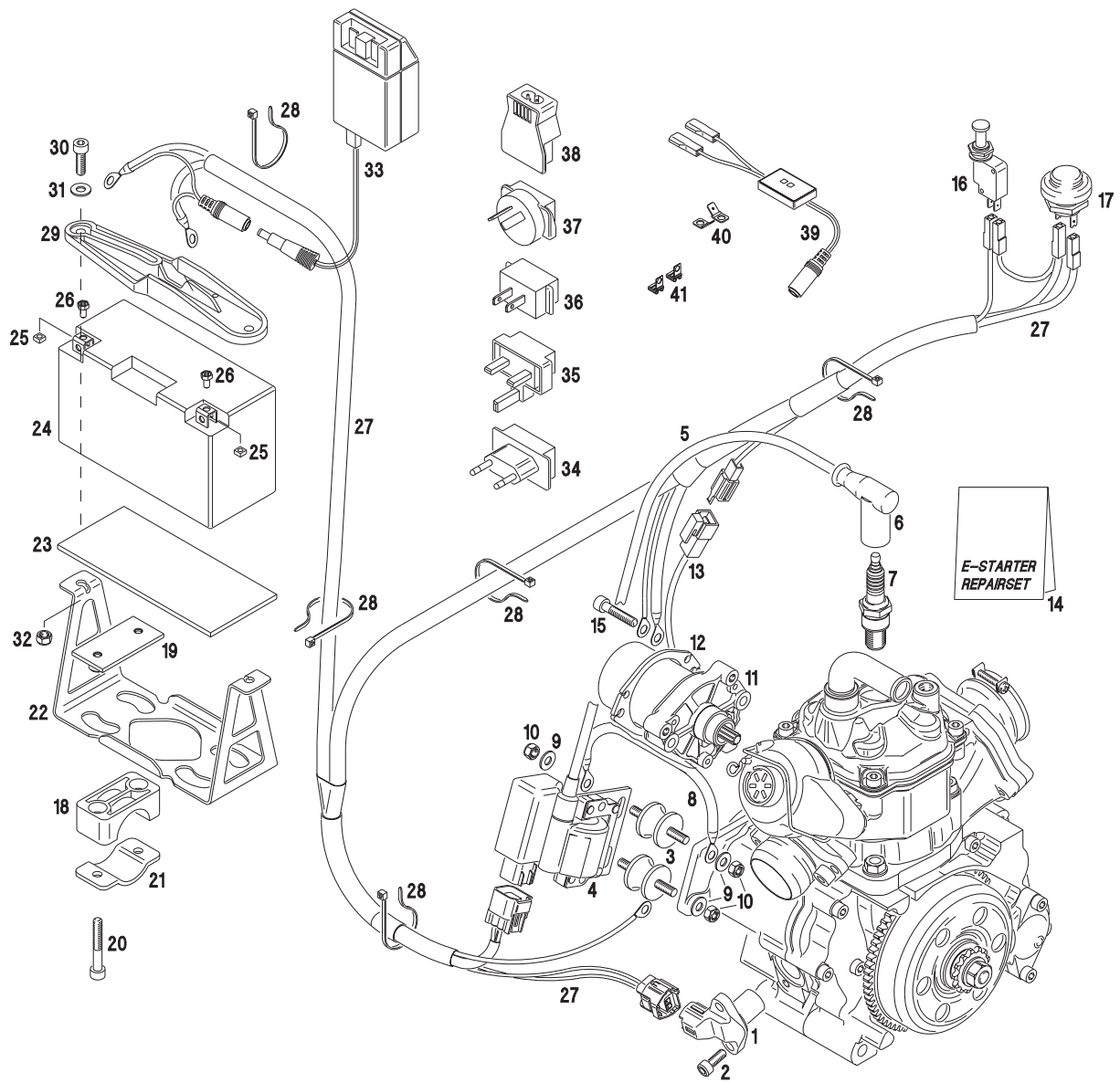
**FLIEHKRAFTKUPPLUNG, KETTENRAD  
CENTRIFUGAL CLUTCH, SPROCKET**

BILD-NR. ILL. NO.	TEILE-NR. PART NO.	BEZEICHNUNG DESCRIPTION	STUECK QTY.
1-6	634908	STARTERZAHNKRANZ KPL. STARTER GEAR ASSY. AUSFÜHRUNG MIT 10 MM BOLZEN  REPLACED BY STARTER GEAR ASSY. 634909	1
1-6	634909	STARTERZAHNKRANZ KPL. STARTER GEAR ASSY. AUSFÜHRUNG MIT 10 MM BOLZEN	1
2		GUMMIBUCHSE RUBBER SLEEVE  USE REPAIR KIT CENTRIFUGAL CLUTCH 281430	3
3	659212	FLIEHGEWICHT FLY WEIGHT  USED ONLY FOR STARTER GEAR ASSY. 634908	3
3	659213	FLIEHGEWICHT FLY WEIGHT  USED FOR STARTER GEAR ASSY. 634908 IN CONJUNCTION WITH CLUTCH SUPPORT 1,5 MM 251676	3
4	251675	KUPPLUNGSABSTUETZUNG 1,2 MM CLUTCH SUPPORT 1,2 MM  REPLACED BY CLUTCH SUPPORT 251674	1
4	251674	KUPPLUNGSABSTUETZUNG 1,2 MM CLUTCH SUPPORT 1,2 MM  REPLACES IF USED ADJUSTING WASHER 10X16X1,2  USED ONLY FOR STARTER GEAR ASSY. 634908	1
4	251676	KUPPLUNGSABSTUETZUNG 1,5 MM CLUTCH SUPPORT 1,5 MM  USED ONLY FOR STARTER GEAR ASSY. 634909	1
4		PASSSCHEIBE 10X16X1,2 DIN 988 ADJUSTING WASHER  USE REPAIR KIT CENTRIFUGAL CLUTCH 281430	3

5		SICHERUNGSRING 10X1 DIN 471 RETAINING RING 10X1 DIN 471	3
		USE REPAIR KIT CENTRIFUGAL CLUTCH 281430	
6		KUPPLUNGSFEDER SCHWARZ CLUTCH SPRING, BLACK	3
		USE REPAIR KIT CENTRIFUGAL CLUTCH 281430	
7	842310	SK-MUTTER M20X1,5 DIN 936 HEX. NUT M20X1,5 DIN 936	1
		TIGHTENING TORQUE 100 NM	
8	927057	ANLAUFSCHEIBE 15,2/25/1 THRUST WASHER 15,2/25/1	1
9	233850	LAGERHÜLSE 15X17X20 PLAIN BEARING 15X17X20	1
		FOR SPROCKET WITH 11 TEETH ONLY	
9	932028	NADELKAEFIG K 15X19X20 NEEDLE CAGE 15X19X20	1
		FOR SPROCKETS WITH 12, 13 AND 14 TEETH	
		OPTION, CONFIGURATION WITHOUT NEEDLE PIN POS. 11	
10	236418	KETTENRAD 11 Z SPROCKET 11 T.,	1
		OPTION, CONFIGURATION WITH NEEDLE PIN POS. 11 CONFIGURATION WITH PLAIN BEARING 233 850 (POS. 9)	
		ORIGINAL WITH ROTAX LOGO	
10	236415	KETTENRAD 12 Z SPROCKET 12 T.	1
		STANDARD, CONFIGURATION WITH NEEDLE PIN POS. 11	
		ORIGINAL WITH ROTAX LOGO	
10	236416	KETTENRAD 13 Z SPROCKET 13 T.	1
		OPTION, CONFIGURATION WITH NEEDLE PIN POS. 11	
		ORIGINAL WITH ROTAX LOGO	
10	236417	KETTENRAD 14 Z SPROCKET 14 T.	1
		OPTION, CONFIGURATION WITH NEEDLE PIN POS. 11	
		ORIGINAL WITH ROTAX LOGO	

11	232365	ZYLINDERROLLE 5X5 DIN 5402 NEEDLE PIN 5X5	1
12	659152	KUPPLUNGSTROMMEL CLUTCH DRUM	1
		REPLACED BY CLUTCH DRUM 659153	
12	659153	KUPPLUNGSTROMMEL CLUTCH DRUM	1
		ORIGINAL WITH ROTAX LOGO	
		REPLACED BY CLUTCH DRUM 659154	
12	659154	KUPPLUNGSTROMMEL CLUTCH DRUM	1
		ORIGINAL WITH ROTAX LOGO	
13	242920	SK-MUTTER M28X1 HOEHE 4 GELB VERZINKT HEX. NUT M28X1 YELLOW ZINC PLATED	1
		TIGHTENING TORQUE 100 NM	
		REPLACED BY HEX. NUT 242925	
13	242925	SK-MUTTER M28X1 HOEHE 4,6 SCHWARZ HEX. NUT M28X1 HEIGHT 4,6 BLACK	1
		TIGHTENING TORQUE 100 NM	
14	627345	ANLAUFSCHLEIBE 10/19/1,5 PLAIN BEARING 15X17X20	1
		FOR SPROCKET WITH 11 TEETH ONLY	
14	627340	ANLAUFSCHLEIBE 10/22/1,5 THRUST WASHER 10/22/1,5	1
		FOR SPROCKETS WITH 12, 13 AND 14 TEETH	
15	942950	SK-MUTTER M10X1 DIN 934 HEX. NUT M10X1 DIN 934	1
		TIGHTENING TORQUE 60 NM	
16	281430	REPARATURSATZ FLIEHKRAFTKUPPLUNG REPAIR KIT CENTRIFUGAL CLUTCH	N. BED. AS REQ.
		REPLACED BY REPAIR KIT CENTRIFUGAL CLUTCH 281431	

16	281431	REPARATURSATZ FLIEHKRAFTKUPPLUNG REPAIR KIT CENTRIFUGAL CLUTCH	1
		CONTENT: 3 X CLUTCH SPRING BLACK 3 X ADJUSTING WASHER 10X16X1,2 DIN 988 3 X RETAINING RING 10X1 DIN 471 3 X ADJUSTING WASHER 10X16X1,5	
	899788	LOCTITE 648 GRUEN LOCTITE 648 GREEN, 5 GR.	
C			N. BED. AS REQ.
	897330	LITHIUMSEIFENFETT LITHIUM-BASE GREASE, 250 GR.,	
I			N. BED. AS REQ.
	899785	LOCTITE 221 VIOLETT LOCTITE 221 VIOLET, 10 CC.	
A			N. BED. AS REQ.



## Kapitel 5 / Chapter 5

**ZÜNDANLAGE, E-STARTER, BATTERIE, LADEGERÄT, KABELBAUM,  
DREHZAHLMESSER, TEMPERATURSENSOR  
IGNITION UNIT, E-STARTER, BATTERY, BATTERY CHARGER, CABLE HARNESS,  
REVOLUTION COUNTER, TEMPERATURE SENSOR**

BILD-NR. ILL. NO.	TEILE-NR. PART NO.	BEZEICHNUNG DESCRIPTION	STUECK QTY.
1	265560	GEBER PICK UP	1
2	241236	ZYL.SCHRAUBE M6X16 DIN 912 ALLEN SCREW M6X16  FOR CRANKCASE IN CONFIGURATION SANDCAST ONLY	2
2	941250	TAPTITE-SCHRAUBE M6X20 TAPTITE-SCREW M6X20  FOR CRANKCASE IN CONFIGURATION DIE-CAST ONLY	2
3	260657	RUNDPUFFER 25X20XM6 RUBBER BUFFER 25X20XM6	2
4	265572	ZUENDTRANSFORMATOR IGNITION COIL	1
5	864695	ZUENDLEITUNG 360 MM IGNITION CABLE 360 MM	1
6	866708	WIDERSTANDSSTECKER SPARK PLUG CONNECTOR	1
7	297838	ZUENDKERZE 14 „DENSO IW 27“ SPARK PLUG 14 „DENSO IW 27“  STANDARD	1
7	297836	ZUENDKERZE 14 „DENSO IW 29“ SPARK PLUG 14 „DENSO IW 29“  OPTIONAL	1
7	297835	ZUENDKERZE 14 „DENSO IW 31“ SPARK PLUG 14 „DENSO IW 31“  OPTIONAL	1
8	264910	MASSELEITUNG KPL. MASS CABLE ASSY.,	1
9	244211	SCHEIBE 6,4 DIN 134 WASHER 6,4 DIN 134	4
10	842040	SICHERUNGSMUTTER DIN 985-M6 LOCK NUT M6	4

11	294800	SCHRAUBTRIEB-STARTER KPL. ELECTRIC STARTER ASSY.,  REPLACED BY ELECTRIC STARTER ASSY. 294801	1
11	294801	SCHRAUBTRIEB-STARTER KPL. ELECTRIC STARTER ASSY.	1
12	251670	STARTERABSTUETZUNG STARTER SUPPORT	1
13	265530	STARTERKABEL KPL. CABLE ASSY.	1
14	281261	REPARATURSATZ E-STARTER REPAIR KIT (ELECTRIC STARTER)  CONTENTS: 2 X SCREW M3X8 2 X COMPRESSION SPRING 1 X CARBON BRUSH LEFT 1 X CARBON BRUSH RIGHT 1 X BALL BEARING	1
	241811	ZYL.SCHRAUBE M6X35 DIN 912 ALLEN SCREW M6X35 DIN 912	
15	265592	EIN-AUS ZUGSCHALTER ON-OFF PULL SWITCH	2
16	265580	DRUCKSCHALTER M. FEUCHT.SCHUTZ START BUTTON	1
17	251254	ROHRSCHELLENSETZ PIPE CLAMP SET	1
18 - 21		FOR TUBE DIAMETER 32 MM ONLY	1
	251360	ROHRSCHELLE PIPE CLAMP	
21	251122	BATTERIEHALTER BATTERY CLAMP	
22	660765	GUMMIPLATTE RUBBER PAD	1
23	265515	BATTERIE 12V-6,5Ah BEFUELLT BATTERY 12 V-6,5Ah FILLED	1
24		REPLACED BY BATTERY 12 V-6,5Ah 265514	1
	265514	BATTERIE 12V-6,5Ah BATTERY 12 V-6,5Ah	
24	xxx		1
25			2

26	xxx		2
27	265550	KABELBAUM CABLE HARNESS	1
		CONFIGURATION WITHOUT CONNECTOR FOR CHARGER	
27	265552	KABELBAUM CABLE HARNESS	1
		REPLACED BY WIRING HARNESS 266125	
27	266125	KABELBAUM WIRING HARNESS	1
28	866710	KABELBINDER 142X2,5 MM CLAMP 142X2,5 MM	11
29	660221	BATTERIEDECKEL BATTERY COVER	1
30	241930	ZYL.SCHRAUBE M6X20 DIN 912 ALLEN SCREW M6X20	2
31	244211	SCHEIBE 6,4 DIN 134 WASHER 6,4 DIN 134	2
32	842040	SICHERUNGSMUTTER DIN 985-M6 LOCK NUT M6	2
33	265147	BATTERIELADEGERAET BATTERY CHARGER	1
		REPLACED BY BATTERY CHARGER 265148	
33	265148	BATTERIELADEGERAET BATTERY CHARGER	1
		FOR VOLTAGES FROM 110 - 230 V	
		INCLUDES 266018 ROW PLUG	
34	266010	EURO-STECKER ADAPTER ADAPTER FUER / FOR "EURO" - SYSTEM	1
35	266012	UK-STECKER  ADAPTER FUER/ FOR "UK" - SYSTEM	1
36	266014	USA-STECKER  ADAPTER FUER / FOR "USA" - SYSTEM	1
37	266016	AUSTRALIEN-STECKER  ADAPTER FUER / FOR "AUSTRALIAN" - SYSTEM	1

38	266018	ROW-STECKER	1
		ADAPTER FOR "REST OF THE WORLD" - SYSTEM	
39	266020	ADAPTERKABEL CONNECTOR CABLE	1
		REPLACED BY CONNECTOR CABLE WITH POLARITY PROTECTION 266021	
39	266021	ADAPTERKABEL MIT VERPOLSCHUTZ CONNECTOR CABLE WITH POLARITY PROTECTION	1
		FOR ENGINE CONFIG.N WITH CABLE HARNESS 265 550	
40	864950	SCHRAUB-FLACHSTECKER FLAT CONNECTOR	2
41	266580	SCHRAUB-FLACHSTECKHÜLSE FLAT PIN CONNECTOR FOR WIRING HARNESS 266125 IN CONJUNCTION WITH BATTERY 265513	2



## Kapitel 6 / Chapter 6

**VERGASER, DICHTUNGSSATZ (VERGASER),  
KRAFTSTOFFPUMPE, REPERATURSATZ (KRAFTSTOFFPUMPE),  
KRAFTSTOFFSCHLAUCH, GASSEILZUG  
CARBURETTOR, GASKET SET (CARBURETTOR),  
FUEL PUMP , REPAIR SET ( FUEL PUMP ) FUEL TUBE , CABLE BOWDEN**

BILD-NR. ILL. NO.	TEILE-NR. PART NO.	BEZEICHNUNG DESCRIPTION	STUECK QTY.
1	295998	DELL'ORTO-VERGASER VHSB 34 DELL'ORTO-CARBURATOR VHSB 34  JETTING "R 09806"	1
2	262030	VERGASERSCHIEBER 40 CARBURETTOR SLIDE 40	1
3	261190	DÜSENNADEL K27 NEEDLE JET K27 OPTIONAL	1
3	261191	DÜSENNADEL K98 NEEDLE JET K98 STANDARD	1
4	245630	SICHERUNGSSCHEIBE CLIP	1
5	261270	EINHAENGSCHRAUBE NIPPLE SCREW	1
6	239885	SCHIEBERFEDER THROTTLE VALVE SPRING	1
7	261427	SCHIEBERDECKEL MIT ROHRBOGEN KPL CARBURETOR COVER WITH BENT TUBE ASSY.	1
8		GUMMITÜELLE KLEIN RUBBER GROMMET SMALL  USE THROTTLE CABLE FIXATION KIT 268 040	1
9		SK-MUTTER M6X0,75 HEX.NUT M6X0,75  USE THROTTLE CABLE FIXATION KIT 268 040	1
10		STELLSCHRAUBE M6X0,75 ADJUSTMENT SCREW M6X0,75  USE THROTTLE CABLE FIXATION KIT 268 040	1
11		GUMMITÜELLE GROSS RUBBER GROMMET BIG  USE THROTTLE CABLE FIXATION KIT 268 040	1

12		DICHTUNG GASKET VERWENDE DICHTUNGSSATZ 293 834 USE GASKET SET 293 834	1
13	262040	NADELDÜSE FN 266 NEEDLE JET FN 266	
14	261550	DUESENTASSE MAIN JET CUP	1
15	281476	HAUPTDUESENSATZ MAIN JET KIT  INCLUDING MAIN JET (115/118/120/122/125/128/130)	1
15	281470	HAUPTDUESENSATZ MAIN JET KIT  INCLUDING MAIN JET (160/162/165/168/170/172)	1
15	281472	HAUPTDUESENSATZ MAIN JET KIT  INCLUDING MAIN JET (175/178/180/182/185/188)	1
15	281474	HAUPTDUESENSATZ MAIN JET KIT  INCLUDING MAIN JET (190/192/195/198/200)	1
16	261162	LEERLAUFDÜSENEINSATZ 30 IDLE JET INSERT 30 OPTIONAL	1
16	261165	LEERLAUFDUESEN EINSATZ 60 IDLE JET INSERT 60 STANDARD	1
17	261163	LEERLAUFDÜSE 30 IDLE JET 30 OPTIONAL	1
17	261341	LEERLAUFDUESE 60 IDLER JET 60 STANDARD	1
18	261895	STARTDUESE 60 STARTING JET 60	1
19	261880	NADELVENTIL 150 NEEDLE VALVE 150	1
20		DICHTUNG GASKET  USE GASKET SET 293 834	1
21	261290	SCHWIMMERAUFHAENGUNG FLOAT BRACKET	1

22	229271	STIFT FLOAT PIN	
23	268031	SCHWIMMER 3,6 GR. FLOAT 3,6 GR. OPTIONAL	1
23	268030	SCHWIMMER 5,2 GR. FLOAT 5,2 GR. STANDARD	1
24		DICHTUNG GASKET	1
		USE GASKET SET 293 834	
25		SCHWIMMERKAMMER FLOAT CHAMBER	1
		NOT AVAILABLE AS REPLACEMENT PART	
26		DICHTUNG GASKET	1
		USE GASKET SET 293 834	
27	261373	ABLASSSCHRAUBE PLUG SCREW	1
28	845312	HOCHSPANNRING VHZ 5 LOCK WASHER VHZ 5	3
29	262020	ZYL.SCHRAUBE M5X20 ALLEN SCREW M5X20	3
30 -31	268044	LUFTREGULIERSCHRAUBENSATZ ADJUSTMENT SCREW KIT	1
30		DRUCKFEDER COMPRESSION SPRING	1
		USE ADJUSTMENT SCREW KIT 268044	
31		LUFTREGULIERSCHRAUBE ADJUSTMENT SCREW	1
		USE ADJUSTMENT SCREW KIT 268044	
32 - 34	268042	KRAFTSTOFFSIEBSATZ FUEL SIEVE KIT	1
32		KRAFTSTOFFSIEB	1
		USE FUEL SIEVE KIT 268042	
33		DICHTUNG GASKET	1
		USE GASKET SET 293 834 OR 268042	

34		VERSCHLUSSSCHRAUBE PLUG SCREW	1
		USE FUEL SIEVE KIT 268042	
35		DRUCKFEDER COMPRESSION SPRING	1
		NOT AVAILABLE AS REPLACEMENT PART	
36		EINSTELLSCHRAUBE ADJUSTMENT SCREW	1
		NOT AVAILABLE AS REPLACEMENT PART	
37		DICHTUNG GASKET	
		USE GASKET SET 293 834	
38	261915	CHOKERHEBEL KPL. CHOKE LEVER ASSY.,	1
39	240505	SENKSCHRAUBE M4,5X10 COUNTERSUNK SCREW M4,5X10	1
40	660750	ANSAUGRESTRIKTOR INTAKE RESTRICTOR	1
		FOR ENGINE CONFIGURATION FR 125 MINI MAX ONLY	
		REPLACED BY INTAKE RESTRICTOR 267535	
40	267535	ANSAUGRESTRIKTOR. INTAKE RESTRICTOR	1
		FOR ENGINE CONFIGURATION FR 125 MINI MAX ONLY	
		EXECUTION IN ALUMINIUM	
41	293834	DICHTUNGSSATZ GASKET SET	1
		FOR THE CARBURETTOR	
42	268040	SEILEINHÄNGUNGSSATZ THROTTLE CABLE FIXATION KIT	1
43	994483	MIKUNI-PUMPE DF 44-210 MIKUNI-FUEL PUMP DF 44-210	
44	296165	DICHTUNGSSATZ-BENZINPUMPE GASKET SET FUEL PUMP	1
45	974529	SCHLAUCH A5x8/2600 MM TUBE A5X8/2600 MM	1
46	297120	GASSEILZUG KPL. CABLE BOWDEN ASSY. THROTTLE	1

47	274160	KRAFTSTOFFFILTER FUEL FILTER	1
48	260260	ENTLUEFTUNGSSCHLAUCH 180 MM AIR VENT HOSE 180 MM	1
49	251730	VERGASERANSCHLAGHUELSE CARBURATOR STOP SLEEVE	1
50	251790	FIXIERBLECH FIXATION PLATE	1
51	281476	HAUPTDUESENSATZ MAIN JET KIT  INCLUDING MAIN JET (115/118/120/122/125/128/130)	1
52	267530	ANSAUGRESTRIKTOR. INTAKE RESTRICTOR  FOR ENGINE CONFIGURATION FR 125 MINI MAX ONLY  FOR CONDITIONS WITH RISK OF ICING (LOW TEMPERATURE / HIGH HUMIDITY)	1